

# 6 FLUE GAS ANALYSIS UNI 10389 MODE

# CHEMIST 500 QUICK GUIDE


**WARNING!** Before proceeding with the combustion analysis remember to set the proper fuel.

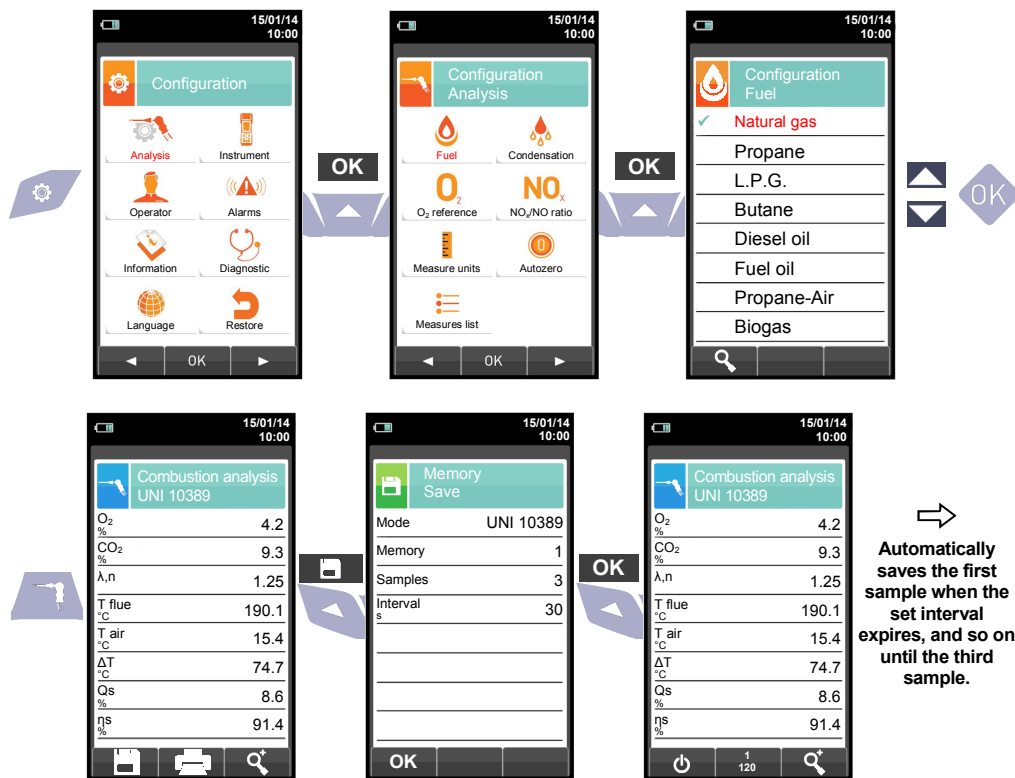
**Compliant with:** EN 50379-1, EN 50379-2, UNI 10845, UNI 10389-1

### Features

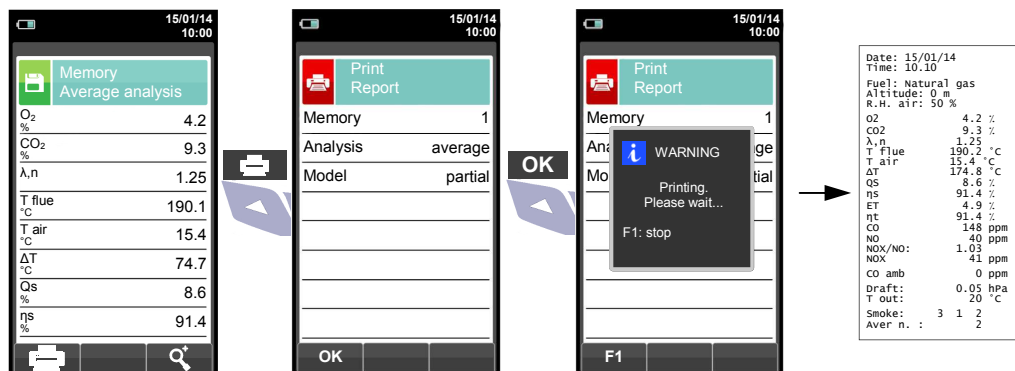
- Flue gas analysis
- Calculating of stack heat loss and efficiency
- CO environment measurement
- Gas pipes tightness test according to standards UNI 7129 and UNI 11137
- Store Smoke value, calculating mean value
- Measuring differential pressure
- Draught measurement according to UNI 10845
- Pressure measurement in the gas supply pipe.



 The magnets in the back of the instrument can damage credit cards, hard driver, mechanical watches, pacemakers, defibrillators and other devices proven sensitive to magnetic fields. It is recommended to keep the instrument at a distance of at least 25cm away from these devices.



In case the automatic print mode is set then the average analysis printing start automatically. Conversely, after the sampling of the third analysis, the average analysis is shown, so that it can be sent to the printer as explained in the following.




### KEYBOARD FUNCTIONS

KEYS	FUNCTION
	Activate the context keys shown on the display
	Enters the Memory menu
	Enters the Print menu
	Enters the Configuration menu
	Starts the flue gas analysis
	Enters the measurements menu
	Turns the instrument on/off
	Quits the current screen
	Selects and/or modifies
	Confirms data

### CONTEXT KEYS

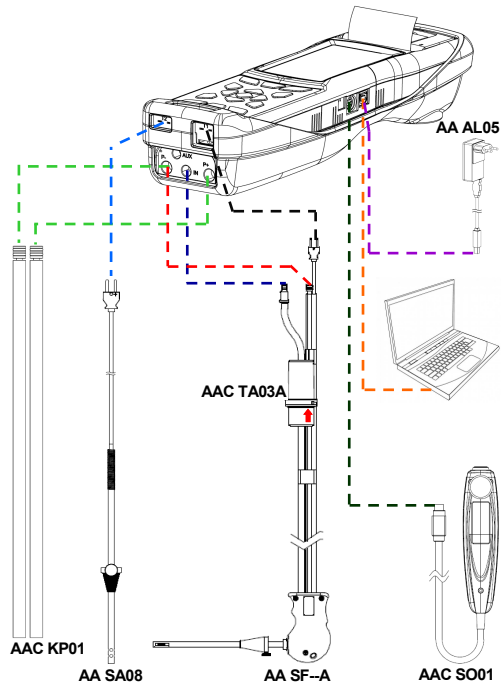
CONTEXT KEY	FUNCTION
	Makes the pressure zero
	Updates the measure
	Saves the current measurement or analysis in the memory location selected from the 'Select Memory' menu
	Starts the report ticket
	Enters the Print menu
	Stops the flue gas analysis
	Enters the modify mode for the selected parameter
	Confirms the settings
	Cancel the change/operation and returns to the previous screen
	Zooms the screen
	Shows the details for the selected parameter
	'Find' function; starts a quick search for the analysis to recall

 Seitron respects the nature and the environment, therefore provides this quick user guide to avoid any unwanted waste of paper. However the complete manual for use and maintenance of the instrument is already available in the USB stick (included), or can be downloaded from the website [www.seitron.it](http://www.seitron.it). Respect your environment: think before printing the full manual on paper.

 **seitron**  
dispositivi elettronici  
di regolazione, misura e controllo

Via Prosdocimo, 30 36061 - Bassano del Grappa (VI)  
+39.(0)424.567842 - +39.(0)424.567849  
info@seitron.it - [www.seitron.it](http://www.seitron.it)

# 1 USING THE FLUE GAS ANALYSER

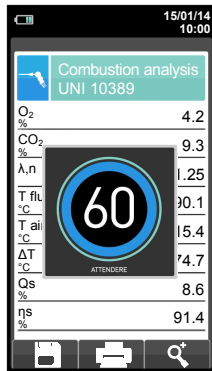


# 2 ON / OFF

**WARNING!**  
During autozero, only for models without electrovalve (CHEMIST 500B), **DO NOT** insert the gas probe in the chimney.



KEEP PRESSED FOR 2 SECONDS UNTIL IT BEEPS



# 3 MEMORY

↓

↓

↓

Memory	1
Customer	Seitron
Address	Via M. Prosdocimo n° 30 Bassano del Grappa
Phone	0424 567842
Boiler	xxxx
Date	15/01/14

↓

Mode	UNI 10389
Samples	3
Interval ppm	120
Print	auto
Memory	auto

In "Select" can be inserted all the customer data.

In "Data logger" the user can define the analysis, memory selection and printing modes.

**Suggested settings:**  
Mode: UNI 10389  
Print: auto  
Memory: auto (assigns a new memory at each instrument turn-on).

# 4 MEASURE OF THE DRAUGHT

↓

Zeroing instrument

Once the pressure zeroing is completed insert the probe in the chimney and measure the draught.

↓

Save the measurement.

# 5 MEASURE AMBIENT CO

It is mandatory to perform the instrument autozero in clean air.

↓

↓

Connect the gas probe to the instrument and perform the measurement. Wait 5 minutes.

↓

Save the measurement